

190-032-101 42" 2-Stage Snow Thrower (2009)
Chute Assembly

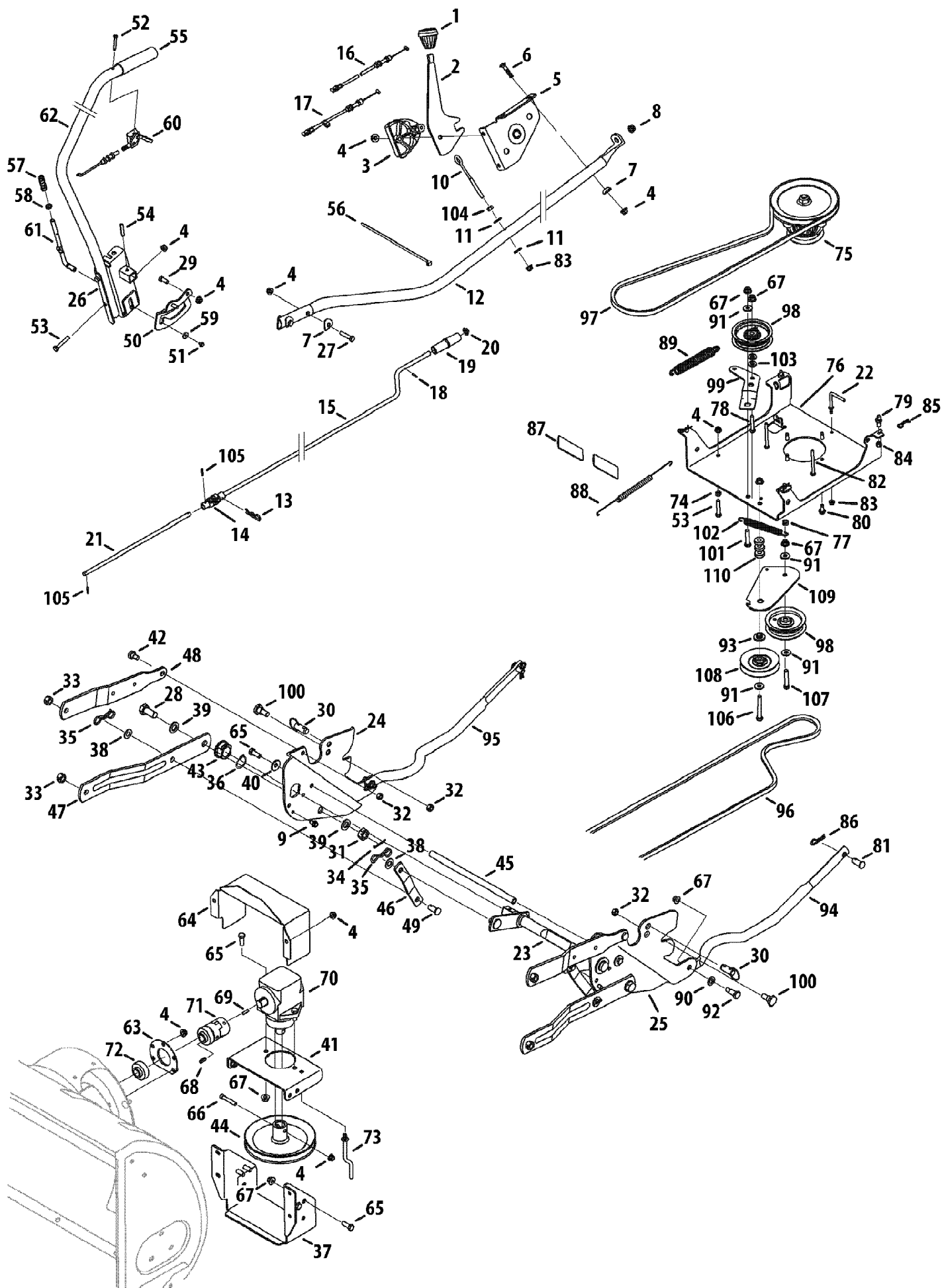
Page 2 of 9

Ref #	Part Number	Qty	S/P/F	Description
1	918-04315	1	/P	Auger Gear Box (Incl. Ref. 23-41)
2	684-0158-0637	1	/P	Impeller Assembly, 12"
3	684-0148-0637	1		Housing Assembly
4	703-2734-0637	1		Housing Brace Bracket
5	684-04163-0637	1		LH Spiral Auger
6	684-04164-0637	1		RH Spiral Auger
7	710-0759	1		Hex Cap Screw, 5/16-18 x .625
8	710-0260A	1	/P	Carriage Bolt, 5/16-18 x .62
9	710-0276	1	/P	Splined Carriage Screw
10	710-04484	1		Self Tapping Screw
11	714-04040	1		Bow-Tie Cotter Pin
12	731-1086A	1	/P	Sleeve .758 x 1.00 x 2.70
13	738-04124A	1	/P	Shear Pin, .25 x 1.50
14	915-0114	1	/P	Spirol Pin, 1/4 x 1-1/2
15	936-0231	1	/P	Flat Washer, .344 x 1.125 x .12
16	736-0242	1	/P	Bell Washer, .340 x .872
17	941-0245	1	/P	Hex Flange Bearing, .75 ID
18	741-0493A	1	/P	Flange Bushing, .80 x .91
19	784-0396B-0637	1	/P	Skid Plate Bracket, 42"
20	784-5038B-0637	1	/P	Slide Shoe
21	711-0469	1		Spacer, .75 x .125 x .5
22	784-5618A-0637	1	/P	Hex Bearing Housing, 1.0
23	918-0123A	1	/P	RH Reducer Housing
24	918-0124A	1	/P	LH Reducer Housing
25	703-2733A-0637	1	/P	Housing Brace Plate
26	710-0642	1	/P	Self Tapping Screw, 1/4-20 x .75
27	711-04468	1		Spiral Axle, 41.5"
28	914-0161	1	/P	Hi-Pro Key, 3/16 x 5/8
29	915-0143	1	/P	Spring Spirol Pin, .25 x 1.25
30	917-0528A	1	/P	Worm Gear, 20-tooth
31	717-3320	1		Worm Shaft
32	718-0513	1		Thrust Collar
33	721-0325	1		Grease Plug
34	721-0327	1		Grease Seal
35	936-0351	1	/P	Flat Washer, .76 x 1.5 x .030
36	936-0369	1	/P	Flat Washer, .508 x 1.0 x .020
37	736-0617	1	/P	Thrust Washer, .75 x 1.25 x .0615
38	IH-324105-R92	1	/P	Thrust Bearing, .75 x 1.25 x .078
39	948-0108	1	/P	Flange Bearing, .503 x .75
40	741-0700	1		Flange Bearing, .75 x 1.0 x .59
41	921-0179	1	/P	Grease Seal
42	684-0061A	1	/P	Chute Crank Assembly
43	703-2735A-0637	1		Chute Crank Bracket
44	705-5226-0637	1	/P	Chute Reinforcer
45	710-0276	1	/P	Splined Carriage Screw
46	710-0262	1	/P	Carriage Bolt, 5/16-18 x 1.5
47	710-04071	1		Carriage Screw, 5/16-18 x 1.0
48	710-0703	1	/P	Screw, 1/4-20 x .75
49	710-0896	1	/P	Hex Index Washer Screw
50	710-0597	1	/P	Hex Cap Screw, 1/4-20 x 1.00
51	712-04064	1	/P	Nylon Hex Lock Nut, 1/4-20
52	712-04063	1	/P	Nylon Hex Lock Nut, 5/16-18
53	715-04095	1		Spirol Pin, .25 x .875

190-032-101 42" 2-Stage Snow Thrower (2009)
Chute Assembly

Page 3 of 9

Ref #	Part Number	Qty	S/P/F	Description
54	731-0851A	1	/P	Chute Flange Keeper
55	731-1300E	1	/P	Lower Chute
56	731-04427A	1	/P	Upper Chute
57	731-1379D	1	/P	Adapter Chute
58	731-1313C	1	/P	Chute Tilt Cable Guide
59	941-0475	1	/P	Plastic Bushing
60	684-04350	1		Joint Block Assembly
61	784-5594-0637	1	/P	Cable Bracket
62	784-5647-0637	1	/P	Chute Crank Bracket
63	712-3004A	1	/P	Flange Lock Nut, 5/16-18
64	731-04870	1		Spacer 1.25 x .75 x 1.00



190-032-101 42" 2-Stage Snow Thrower (2009)
Drive & Handle Assembly

Page 5 of 9

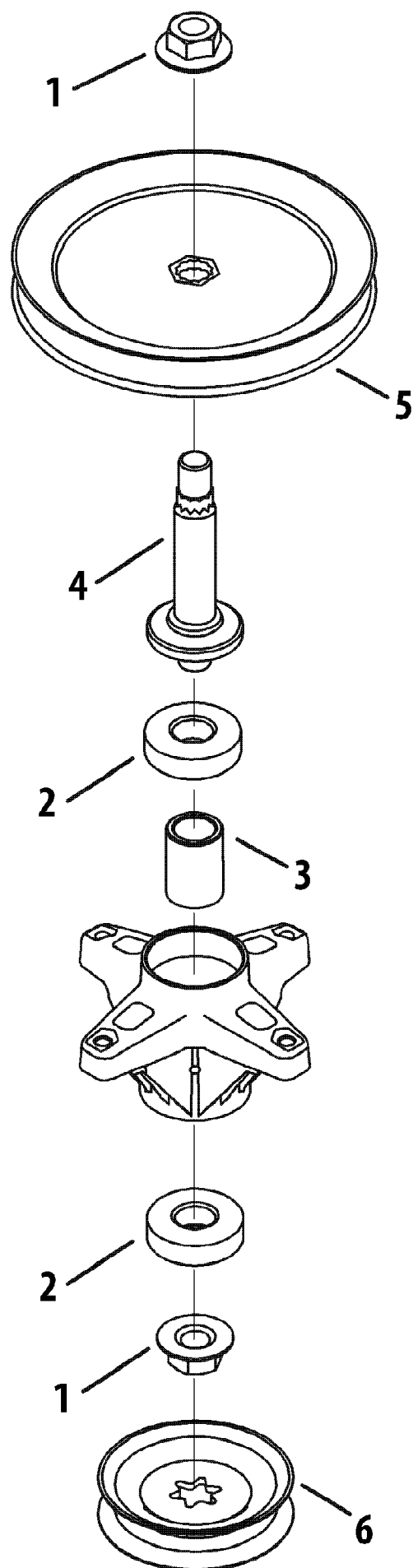
Ref #	Part Number	Qty	S/P/F	Description
1	720-04039	1		Knob
2	784-5604A-0637	1	/P	Chute Tilt Handle
3	731-1313C	1	/P	Chute Tilt Cable Guide
4	712-04063	1	/P	Nylon Hex Lock Nut, 5/16-18
5	603-0302-0637	1	/P	Chute Tilt Bracket Assembly
6	710-0262	1	/P	Carriage Bolt, 5/16-18 x 1.5
7	936-0451	1	/P	Saddle Washer, .32 x .93
8	941-0475	1	/P	Plastic Bushing
9	710-0604A	1	/P	Self Tapping Screw
10	710-05050	1		Eye Bolt
11	736-0270	1	/P	Bell Washer, .265 x .75
12	750-04467	1		Support Chute Tube
13	914-0101	1	/P	Cotter Pin, .08 x 1.42
14	684-04350	1		Joint Block Assembly
15	747-1201A	1	/P	Chute Crank Rod, .38 x 35
16	746-1108	1		Chute Cable, 62"
17	746-1109	1		Chute Cable w/ Clip, 62"
18	915-0138	1	/P	Rolled Pin, 1/8 x .63
19	720-0201A	1	/P	Crank Knob
20	926-0100	1	/P	Push Cap, 3/8 ID
21	747-04400A	1		Rod, .375 x 13.50
22	711-04741	1		Belt keeper Pin
23	611-0132A-0637	1	/P	Rod Assembly
24	783-0880D-0637	1		RH Support Plate Assembly
25	783-0879D-0637	1		LH Support Plate Assembly
26	683-04150-0637	1		Lift Bracket Assembly
27	710-0805	1	/P	Hex Cap Screw, 5/16-18 x 1.50
28	710-0964A	1		Hex Cap Screw, 5/8-18 x 1.31
29	710-3008	1	/P	Hex Cap Screw, 5/16-18 x .75
30	714-04061	1		Quick Release Pin
31	712-0386A	1	/P	Slotted Hex Nut, 5/8-18
32	912-3000	1	/P	Hex Lock Nut, 3/8-16
33	712-3022	1	/P	Hex Lock Nut, 1/2-13
34	914-0470	1	/P	Cotter Pin, 1/8 x 1.25
35	714-04043	1		Cotter Pin, Bow Tie
36	916-0102	1	/P	Snap Ring
37	784-0402-0637	1	/P	Skid Plate
38	936-0272	1	/P	Flat Washer, .51 x 1.0 x .060
39	736-0366	1	/P	Flat Washer, .64 x 1.12 x .125
40	936-0452	1	/P	Bell Washer, .396 x 1.14 x .095
41	783-1014A-0637	1	/P	Drive Mounting Bracket
42	738-0234	1		Shoulder Screw, .5 x .29, 3/8-16
43	741-0192	1		Flange Bearing w/ Flats
44	756-1181A	1	/P	Drive Pulley, 7"
45	747-1192	1		Rod, 1/2 x 11.55
46	783-0876	1		Link, 5.875
47	783-0877	1	S	Link, 15.4
48	783-0878B-0637	1	/P	Link, 13.25
49	911-0332	1	/P	Clevis Pin, .50 x .78
50	790-00110-0637	1		Snow Thrower Lift Bracket
51	01001864	1		Hex Index Washer Screw #10-24
52	710-3143	1	/P	Pan Phillips Screw, #10-24 x .75
53	710-3180	1		Hex Index Washer Screw, 5/16-18 x 1.75

Ref #	Part Number	Qty	S/P/F	Description
54	915-0114	1	/P	Heavy Duty Spirol Pin, 1/4 x 1.5
55	720-0274	1	/P	Handle Grip
56	725-0157	1	/P	Cable Tie
57	932-0306A	1	/P	Compression Spring
58	936-0140	1	/P	Flat Washer, .385 x .62 x .063
59	936-0400	1	/P	Flat Washer, .194 x .62 x .063
60	746-1103A	1	S	Lift Cable, 42" w/ Trigger Control
61	747-1203	1		Lift Index Rod
62	750-1221-0637	1		Lift Handle Tube
63	05931A	1	/P	Bearing Housing, 1.85 ID
64	703-2736-0637	1		Belt Cover
65	710-0514	1	/P	Hex Cap Screw, 3/8-16 x 1.0
66	710-3251	1	/P	Socket Head Cap Screw
67	712-04065	1	/P	Flange Lock Nut, 3/8-16
68	914-0122	1	/P	Square Key, 3/16 x .75
69	914-0126	1	/P	Hi-pro Key, 3/16 x .75
70	917-1714A	1	/P	Right Angle Drive
71	918-0691	1	/P	Coupling
72	941-0309	1	/P	Flange Ball Bearing, .75 x 1.85
73	747-1257	1		Belt Keeper Rod
74	912-3010	1	/P	Flange Nut, 5/16
75	618-0411	1	S	Spindle Assembly
76	683-04605-0637	1		Pulley Mounting Bracket
77	684-0149	1		Double Idler Bracket Assembly
78	710-0347	1	/P	Hex Cap Screw, 3/8-16 x 1.75
79	710-04511	1		Pin 5/16-18
80	710-1260A	1	/P	Carriage Bolt, 5/16-18 x .62
81	911-0310	1	/P	Clevis Pin, .5 x 1.18
82	911-1000	1	/P	Belt Keeper Pin
83	712-04064	1	/P	Nylon Hex Lock Nut, 1/4-20
84	912-3009	1	/P	Hex Lock Nut, 5/16-18
85	914-0145	1	/P	Click Pin, .092 x 1.64
86	714-0147	1		Internal Cotter Pin, .125 x 1.75
87	930-3000	1	/P	Reflector
88	732-04237	1		Extension Spring .50 x 12.00
89	932-0594A	1	/P	Extension Spring .91 x 7.33
90	936-0192	1	/P	Flat Washer, .531 x .93 x .09
91	736-3072	1	/P	Flat Washer, .38 x .93 x .11
92	938-0145	1	/P	Shoulder Screw, 3/8-16
93	938-0347	1	/P	Shoulder Spacer, .625 x .169
94	749-1103-0637	1	/P	LH Support Tube
95	749-1104-0637	1	/P	RH Support Tube
96	954-3053	1	/P	V-Belt
97	954-0498	1	/P	V-Belt
98	756-0627D	1	/P	Idler Pulley 3.50 dia.
99	783-1291-0637	1	/P	Idler Bracket
100	738-0143	1	/P	Shoulder Bolt
101	710-3005	1	/P	Hex Cap Screw, 3/8-16 x 1.25
102	732-0978	1		Extension Spring, .620 x 5.62
103	736-3010	1		Flat Washer, .407 x .812 x .135
104	712-3006	1	/P	Hex Lock Nut, 1/4-20
105	715-04095	1		Spirol Pin, .156 x .875
106	710-3022	1		Hex Cap Screw, 3/8-16 x 2.75

190-032-101 42" 2-Stage Snow Thrower (2009)
Drive & Handle Assembly

Page 7 of 9

Ref #	Part Number	Qty	S/P/F	Description
107	710-3144	1	/P	Hex Cap Screw, 3/8-16 x 2.00
108	756-0487	1	/P	Idler pulley, 4" Diameter
109	784-5727-0637	1	/P	Idler Pivot Arm
110	911-0242	1	/P	Spacer
111	912-0266	1	S	Nut, 3/8-16, Jamlock



190-032-101 42" 2-Stage Snow Thrower (2009)
Spindle Assembly

Page 9 of 9

Ref #	Part Number	Qty	S/P/F	Description
1	712-0417A	1	/P	Flange Nut 5/8-18
2	941-0919	1	/P	Ball Bearing
3	750-1096	1		Spacer
4	738-0976	1		Spindle Shaft
5	756-0999	1		Deck Pulley 7"
6	756-1173	1		Pulley 3.75"